



Model 86 System Mark and Code Anything



Print real-time “Best By,” “Lot Code,” “Sell by,” “Expiration Codes” and other identifying marks and codes to any substrate.

The Model 86 is targeted at high speed applications, printing 1, 2 or 3 lines of text, barcodes or graphics. A complete range of dye and soft pigmented inks available in a variety of colors for a wide range of applications.

Typical applications mark and code one to two shifts per day, five days per week, averaging 2,500 - 5,000 hour annual operation. Utilize integrated RS232 and programmable inputs/outputs for remote control and communications.



PRINT CAPABILITIES

LINES OF PRINT—1, 2 or 3 lines of text, graphics and barcodes.

IMAGE HEIGHT—from .5" (12 mm) to .75" (19 mm).

NON-CONTACT PRINTING—ink throw distances from .5" (12 mm) up to 2" (50 mm).

PRINT SPEEDS—up to 1300 feet/minute (397 meters/minute) for single line of print and up to 310 feet/minute (94 meters/minute) for two lines of print and up to 155 feet/minute (47 meters/minute) for three lines of print.

Systems are simplified to allow anyone to operate, minimizing operator touches, extending time between human interaction.

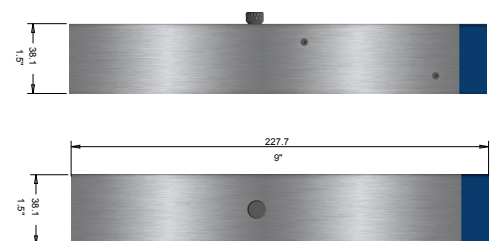
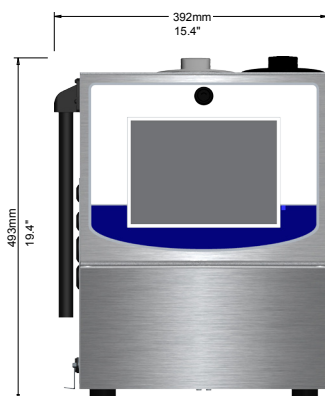
- **CleanStart™**—automatically cleans printhead eliminating daily and weekly cleanings.
- **10.4" Color Touch Screen**—always on, vivid display with large intuitive buttons and status indicators.
- **OneTouch™**—single step operator functions reduce operator steps.
- **Large Volume Ink Tanks**—extend time between fluid additions to weeks or months.
- **On-the-Fly External Ink Filling**—accomplished in less than a minute with no waste.
- **AutoOff™ Go Home Button**—automate and eliminate time consuming end of day manual routines.

THE CLOSER YOU LOOK,
THE BETTER BESTCODE LOOKS!



Model 86 Specifications

Technology	Continuous Ink Jet (CIJ) Technology, Single Printhead Control
User Interface	10.4" (264 mm) Color LCD, Touch Screen, Icon based – Graphical User Interface (GUI)
Lines of Print	1 - 3 Lines, 25 pixel
Print Fonts	5, 7, 9, 12, 16, 19, 25
Adjustable Print Height	.06" (1.5 mm) - .50" (12 mm)
Optional Print Height	.10" (2 mm) - .75" (19 mm)
Print Speed	1 Line: 1300 feet/minute (397 meters/minute), 2 Line: 310 feet/minute (94 meters/minute), 3 Line: 155 feet/minutes (47 meters/minute)
Ink Throw Distance	True Non-Contact Printing, .5" (12 mm) - 2" (50 mm)
Electronic Hardware	32 Bit ARM 9, 208 Mhz Processor
Memory Storage	4 GByte Solid State Drive, 15 MByte Flash, 128 Mbyte RAM, USB Interface (thumb drive)
Machine Interface	RS232, Ethernet
Inputs	1 Photocell, 1 Photocell or Programmable Input, 1 Shaft Encoder, 8 Field Programmable Inputs, Remote Message Selection option – 256 possible selections
Outputs	4 Alarm Outputs, 1 Relay Output
Enclosure	Stainless Steel Enclosure
Ingress Protection	IP55
SmartFilter™ Life	5000 hours
Operating Environment	Temperature: 32° - 122° F (0°- 50°C), % Relative Humidity: 10 - 90% (non-condensing)
Electrical Requirements	Auto Ranging: 100 - 240 VAC (3 Amp), Frequency 50 - 60 Hz, Power Consumption: 50 W
Compliance	CE Certified, RoHS Compliant
Message / Code Creation	Dynamic Message Storage (over 1000 Messages), WYSIWYG Message Editing, Drag / Drop Field Based Formatting, Multi-National (Unicode) Character Printing, Download Fonts, Integrated Font Editor, Real and Expiration Time and Date, Shift and Rollover Functions, Product and Batch Counting, Remote Count Resets, Download Graphics and Integrated Graphic Editor, Continuous and Repeat Print, Auto Reverse / Traverse Print
Operation Features	Icon Based Operation, Single Button Start, Single Button Stop / Power Off, Password Security, Automatic Diagnostics, Error and Activity Logs, Service Reminders, Backup / Restore Functions, USB Load Firmware Updates, All Operator Languages, Download Languages
Ink Delivery	SmartFill™ Ink Bottle: 32 oz (946 ml), SmartFill™ Makeup Bottle: 32 oz (946 ml)
Fluid Capacity	Ink Capacity: 68 oz (2 liters), Makeup Capacity: 102 oz (3 liters)
Ink Types	Quick Dry to Immediate, Complete Ink Range: MEK, Acetone, Ethanol and Blends
Ink Colors	Black, Red, Blue, Green, Yellow, Orange, Invisible
Specialist Inks	Food Grade, Opaque, Thermo Color Change, Wet Bottle, Caustic Washable, Plastic, Eco-Friendly, Alcohol Resistant, Military Spec, Wet Bottle
Printhead Umbilical	10 feet (3 meters), 15 feet (4.5 meters) option
Printhead Options	Right Angle Printhead
Printing	Printhead Orientation – Omnidirectional
Weight	45 lbs (20 kg)
Optional Accessories	Alarm Beacon, Photocells, Mountings, Shaft Encoder, AirFlow™ Positive Air Kit (for high dust), Printhead Wash Station



By request, BestCode can adapt hardware and software to meet specific application demands.



t. 630.377.4664 | info@chicagocoding.com | www.chicagocoding.com

©2011-2017 BestCode. Designed and Manufactured by BestCode in Texas, USA
BestCode and Continuous Innovations are trademarks of BestCode. BestCode reserves the right to change specifications without notice.